



LF-2000 Intelligent Temperature Control Soldering Station



PRODUCT FEATURES

1. With alluminum alloy shell design, it has the advantages of strong structure, good radiation and effectively resisting electromagnetic interference.
2. The panel is designed with an angle suitable for human body engineering and a big size screen and pressing keys are easy and comfortable for use.
3. The standing machine body with extra small size saves a lot of space.
4. The waterless cleaning brush applied to soldering tip can

effectively avoid violent temperature changes of the soldering tip so as to guarantee soldering quality and the working life of soldering tip.

5. The soldering pen with a smaller hand grip is comfortable for a user to use.

6. The standard soldering tip is easy for replacement.

7. An earth jack attached to the back of the body is convenient for the connection of static electricity wrist strap.

PRODUCT FUNCTIONS

1. With single chip microcomputer control, the product has been provided with intelligent functions.

2. Digital display and pressing keys operation is clear and visual.

3. The soldering temperature locked by password is convenient for production management.

4. By pressing keys to revise temperature is easy to operate.

5. Suspend and power-off functions: When no soldering continues for 20min, the system will enter into the Suspend state and temperature goes down to 200°C. After 40min of suspending without wake-up, the heater will be powered off so as to save energy, protect soldering tip and guarantee the

safety of the operation.

6. Alarming function:

Sensor circuit breaker: Display "S—E" and cut off the power of the heater;

Heater circuit breaker: Display "H—E" and cut off the power of the heater.

7. The ceramic heater with the advantages of high power, long work life, fast temperature rising and fast temperature compensating is more advantageous for lead free soldering.

8. The heater provided with AC32V low voltage power supply is absolutely safe.

9. Zero voltage to switch on and off will not cause any interference.

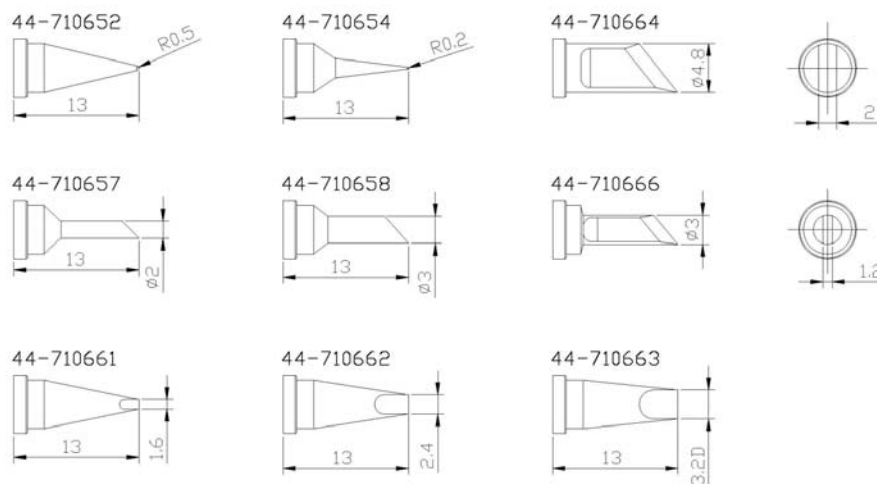
10. The soldering iron wire covered by silicone wire with high temperature endurance is inflammable.

SPECIFICATIONS

Model	LF-2000 Intelligent Temperature Control Welding Iron	
Power Supply/ Voltage	230V/50Hz	115V/60Hz

Power Fuse	T1A (Slow-speed type)	T2A (Slow-speed type)
Output Power	90W	
Temperature Set Range	200°C-450°C (392°F-842°F)	
Temperature Correction Range	+99°C~-99°C/+99°F~-99°F	
Default Set	200°C/392°F	
	Temperature correction value"00"	
Figure Dimension	111x158x137mm(W x H x D)	
Weight	1.4kg	

SOLDERING TIP CHART FOR LF-2000



XYTRONIC INDUSTRIES LTD.

Address: No. 9, 5th Floor, No. 130, Jiankang Road, Zhongheshi, Taibei, Taiwan

Tel: 02-8221-4848

Fax: 02-8221-4852

Home page : <http://www.xytronic.com>

E-mail : Xytronic@hotmail.com