

### DEN-ON SC-7000Z Desoldering Tool

Model #	Description	Units	Retail Price
SC-7000Z	Den-on SC-7000Z Desoldering Tool 120V includes: 1-1.0mm Tip, 2 sets of Filters	Each	\$395.00
SC-7000ZA	Den-on SC-7000Z Desoldering Tool 230V includes: 1-1.0mm Tip, 2 sets of Filters	Each	\$395.00

### DEN-ON SMD Tool Kit

Model #	Description	Unit	Retail Price
72-78-00	SMD Tool Kit	Each	\$42.00

### Stand and Accessories for SC-7000Z

Part #	Description	Unit	Retail Price
08-00-00	ST-800 Desoldering Stand	Each	\$25.00
08-05-00	Neck Jar for ST-800 Desoldering Stand	Each	\$3.75
08-06-00	Sponge for ST-800 Desoldering Stand	Each	\$1.50

### Tips for SC-7000 / SC-7000Z Desoldering Tools

Part #	Description	Unit	Retail Price
50-01-11	0.8mm Tip	Each	\$33.95
50-01-13	0.8mm Ultra Slim Tip	Each	\$33.95
50-01-14	1.0mm Tip (Standard Tip)	Each	\$33.95
50-01-15	1.5mm Tip	Each	\$33.95
50-01-16	1.0mm Slim Tip	Each	\$33.95
50-01-17	1.5mm Slim Tip	Each	\$33.95
50-02-00	Tip Insulator	Each	\$0.35
70-08-00	Filter Cartridge Set (5 pcs)	Each	\$20.00

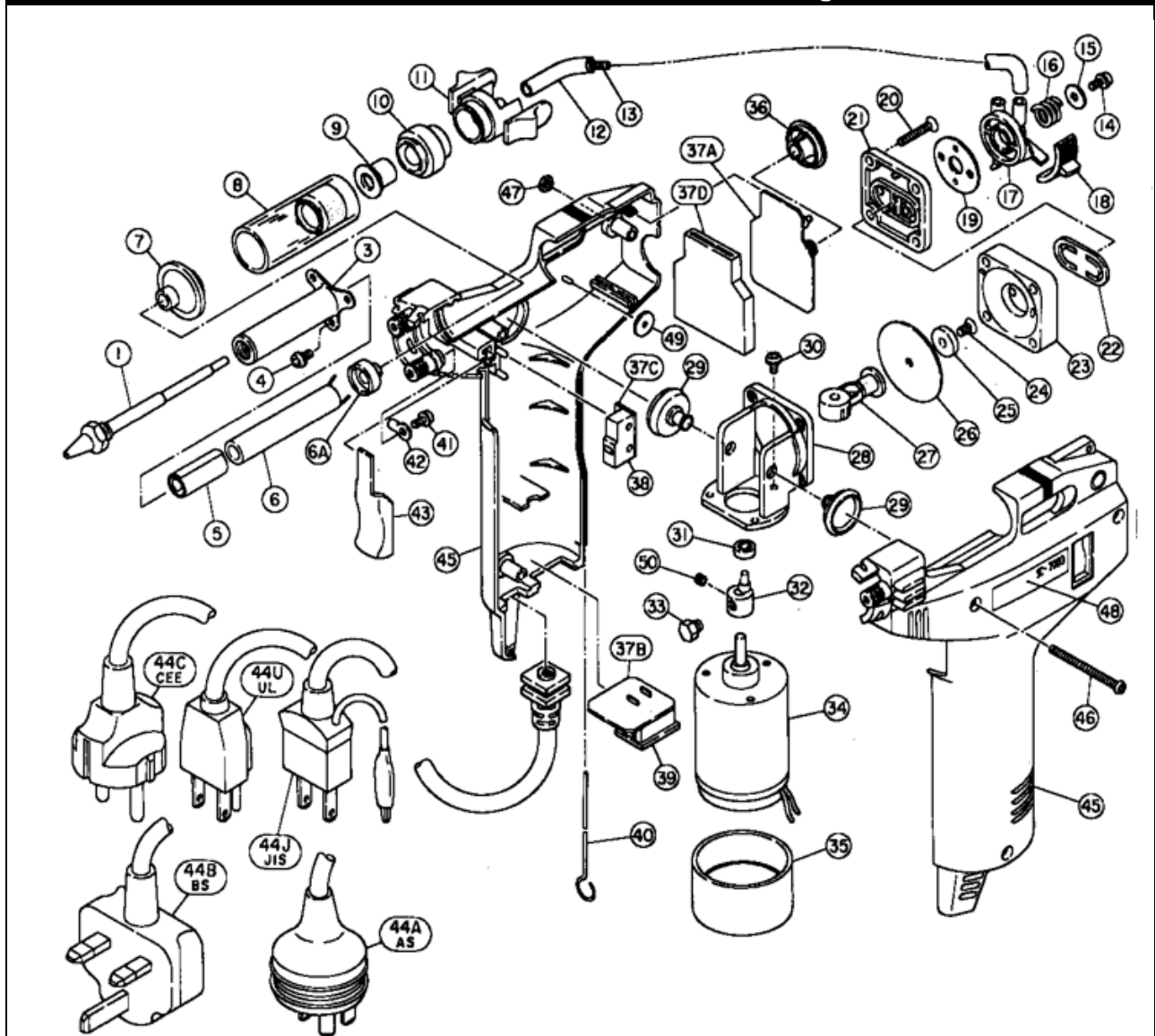
### Replacement Parts for SC-7000 / SC-7000Z Tools

Draw No.	Part #	Description	Unit	Retail Price
3	70-03-00	Heater Holder	Each	\$395.00
4	70-04-00	Pan Screw (10 pcs)	Each	\$395.00
5	70-05-00	Mica Insulator	Each	\$3.00
6	70-06-00	Heater Element (110-120V)	Each	\$35.00
6	70-06-50	Heater Element (220-240V)	Each	\$35.00
6A	70-06-10	Protector (6A)	Each	\$1.00
7	70-07-00	Front Pipe Setter	Each	\$25.00
8&9	70-08-00	Filter Cartridge Set (5 pcs)	Each	\$20.00
10	70-10-00	Filter Chamber	Each	\$10.00
11	70-11-00	Rear Pipe Setter (Green)	Each	\$10.00
12	70-12-00	Silicone Tube	Each	\$1.00
13	70-13-00	Spring (T)	Each	\$1.00
15	70-15-00	Plain Washer (5 pcs)	Each	\$3.00
16	70-16-00	Spring (V)	Each	\$1.00
17	70-17-00	Valve	Each	\$5.50
18	70-18-00	Lever	Each	\$5.50
19	70-19-00	Gasket	Each	\$3.50
20	70-20-00	Flat Screw 3x18 (10 pcs)	Each	\$3.00
21	70-21-00	Pump Base (B)	Each	\$5.50
22	70-22-00	Seat Valve	Each	\$3.75
23	70-23-00	Pump Base (A)	Each	\$6.50
24	70-24-00	Flat Screw 3x6 (5 pcs)	Each	\$3.00
25	70-25-00	Washer	Each	\$4.00
26	70-26-00	Diaphragm	Each	\$6.50
27	70-27-00	Arm Rod	Each	\$3.50
28	70-28-00	Frame	Each	\$7.00
14-26	70-28-51	Complete Pump Assembly	Each	\$50.00
29	70-29-00	Anti- Vibration Pad (F)	Each	\$3.00
31&32	70-31-51	Crankshaft Assembly	Each	\$9.00
33	70-33-00	Balancer	Each	\$4.00
34	70-34-00	Motor (100-120v)	Each	\$50.00
14-26-34	70-34-11	Pump Assembly with Motor (100-120v)	Each	\$110.00
35	70-35-00	Vibration Isolator Pad (M)	Each	\$4.50
36	70-36-00	Temperature Knob	Each	\$4.50
37A	72-37-80	Main PCB (120v)	Each	\$38.00

### Replacement Parts for SC-7000 / SC-7000Z Tools

Draw No.	Part #	Description	Unit	Retail Price
37B	70-37-81	Power Switch PCB (120v)	Each	\$15.00
37C	70-37-60	Microswitch Assembly	Each	\$6.50
37D	70-37-70	Dust Cover	Each	\$6.50
40	50-51-00	Cleaning Pin	Each	\$3.00
43	72-43-00	Trigger	Each	\$6.00
44UL	70-44-02	Power Cord UL	Each	\$21.50
44CEE	70-44-03	Power Cord CEE	Each	\$21.50
45	70-45-00	Housing (L) & ® Set	Each	\$38.00
46&47	70-55-00	Pan Screw 3x35 & Hex Nut	Each	\$3.00
49	70-49-00	Vibration Isolator Pad	Each	\$1.00
50	70-50-00	Set Screw 4x4 (5 pcs)	Each	\$3.00
	70-37-32	Fuse Resistor	Each	\$0.60
	70-51-00	Cleaning Pin Set	Each	\$6.00
	70-52-00	Wrench	Each	\$2.75

### Parts View for DEN-ON SC7000Z Desoldering Tool



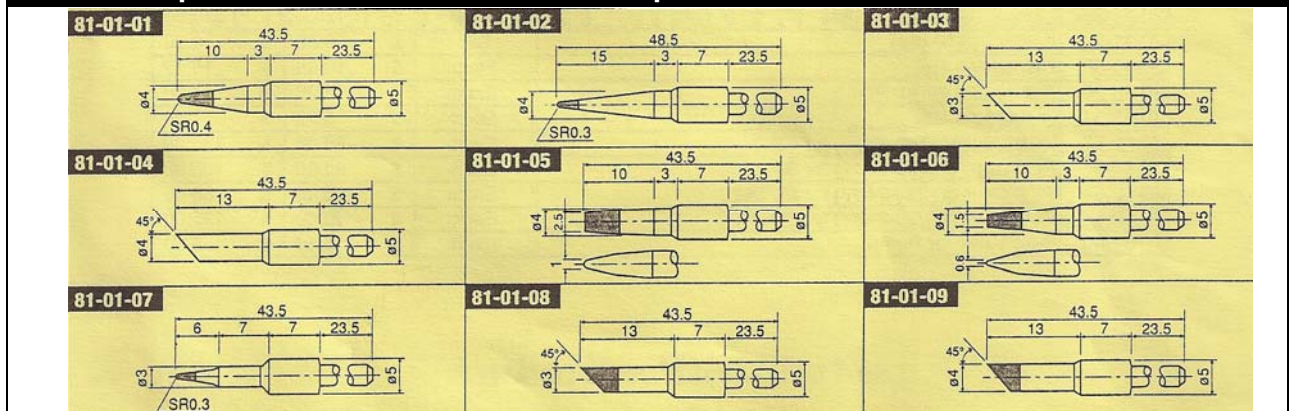
### SS-8200 Pencil Soldering Station

Model #	Description	Units	Retail Price
SS-8200	DEN-ON Pencil Soldering Station	Each	\$105.00

### SS-8100D & SS-8200 Tips

Model #	Description	Units	Retail Price
81-01-01	Conical Standard	Each	\$7.25
81-01-02	Conical Fine	Each	\$7.25
81-01-03	Bevel 3mm	Each	\$7.25
81-01-04	Bevel 4mm	Each	\$7.25
81-01-05	Screwdriver	Each	\$7.25
81-01-06	Screwdriver Small	Each	\$7.25
81-01-07	Conical High Mass Fine	Each	\$7.25
81-01-08	Bevel 3mm Full Tin 5mm	Each	\$7.25
81-01-09	Bevel 4mm Full Tin 5mm	Each	\$7.25

### Available Tips for the SS-8100D & SS-8200 Tips



### Replacement Parts for the SS-8200

Model #	Description	Units	Retail Price
82-12-80	PCB Assembly 120v	EACH	\$50.00
81-02-00	Collar	EACH	\$5.00
82-03-00	Holder	EACH	\$5.00
82-04-00	Protection Sleeve	EACH	\$5.00
82-05-00	Socket	EACH	\$8.00
82-06-00	Heater (100-120V)	EACH	\$35.00
82-06-10	Spacer	EACH	\$2.00
82-08-00	Grip (F)	EACH	\$8.00
82-08-01	Rubber Grip	EACH	\$3.50
82-09-00	Grip ®	EACH	\$11.00
82-10-00	Dust Cover	EACH	\$3.00
82-13-02	Power Cord (UL)	EACH	\$8.00

### Replacement Parts for the SD2000 / SD3000

Call 800-394-1984

Model #	Description	Units	Retail Price
SD3000II	20-01-02 Suction cup (5 pcs/set) for Tweezers	EACH	\$21.00
SD3000II	20-01-30 Vacuum Tweezers with tube	EACH	\$52.00
SD3000II	20-11-56 Dispensing tip for Tweezers	EACH	\$10.60
SD3000II	20-01-09 PGA Removal Kit	EACH	\$74.00
SD3000II	30-06-00 Heater assembly for 100-120V	EACH	\$340.00
SD3000II	30-06-50 Heater assembly for 220-240V	EACH	\$380.00
SD3000II	20-06-02 Glass covering portion	EACH	\$170.00
SD3000II	20-06-01 Rubber Tube for Heater (3 pcs/set)	EACH	\$13.60
SD3000II	20-10-10 Metal Frame (11 pcs/set)	EACH	\$100.00
SD3000II	20-11-12 Air pump for 100-120V	EACH	\$158.00
SD3000II	20-50-12 Air pump for 220-240V	EACH	\$158.00
SD3000II	20-11-13 Suction pump for 100-120V	EACH	\$116.00
SD3000II	20-50-13 Suction pump for 220-240V	EACH	\$116.00
SD3000II	20-11-30 Power supply PCB for 100-120V	EACH	\$100.00
SD3000II	20-11-31 Power supply PCB for 220-240V	EACH	\$100.00
SD3000II	30113301 PCB Main for 100-120V	EACH	\$210.00
SD3000II	30503301 PCB Main for 220-240V	EACH	\$210.00

SD3000II	20-11-37	Filter (10 pcs/set)	EACH	\$6.40
SD3000II	70340001	Air motor for blowing 100-240V	EACH	\$76.00
SD3000II	70340002	Air motor for suction 100-240V	EACH	\$66.00
SD3000II	30-01-xx	Nozzle adapter	EACH	\$220.00
SD3000II	30-11-57	PCB control for 100-120V	EACH	\$100.00
SD3000II	30-50-57	PCB control for 220-240V	EACH	\$100.00
SD3000II	20-01-02	Suction cup (5 pcs/set) for Tweezers	EACH	\$21.00
SD3000II	20-01-30	Vacuum Tweezers with tube	EACH	\$52.00
SD3000II	20-11-56	Dispensing tip for Tweezers	EACH	\$10.60
SD3000II	20-01-09	PGA Removal Kit	EACH	\$74.00
SD3000II	30-06-00	Heater assembly for 100-120V	EACH	\$294.00
SD3000II	30-06-50	Heater assembly for 220-240V	EACH	\$306.00
SD3000II	20-06-01	Rubber Tube for Heater (3 pcs/set)	EACH	\$13.60
SD3000II	20-10-10	Metal Frame (11 pcs/set)	EACH	\$100.00
SD3000II	20-50-12	Air pump for 220-240V	EACH	\$158.00
SD3000II	20-50-13	Suction pump for 220-240V	EACH	\$116.00
SD3000II	20-11-30	Power supply PCB for 100-120V	EACH	\$100.00
SD3000II	20-11-31	Power supply PCB for 220-240V	EACH	\$100.00
SD3000II	30-11-33	PCB Main for 100-120V	EACH	\$210.00
SD3000II	30-50-33	PCB Main for 220-240V	EACH	\$210.00
SD3000II	20-11-37	Filter (10 pcs/set)	EACH	\$6.40
SD3000II	70-34-00	Motor for 100-120V	EACH	\$40.00
SD3000II	70-34-50	Motor for 220-240V	EACH	\$40.00
SD3000II	30-01-xx	Nozzle adapter	EACH	\$400.00
SD3000II	30-11-57	PCB control for 100-120V	EACH	\$100.00
SD3000II	30-50-57	PCB control for 220-240V	EACH	\$100.00
SD3000II	32-50-12	Air pump for 100-120V DC	EACH	\$158.00
SD3000II	32-11-12	Air pump for 200-220V DC	EACH	\$158.00
SD3000II	32-11-13	Suction pump for 100-120V DC	EACH	\$116.00
SD3000II	32-50-13	Suction pump for 200-220V DC	EACH	\$116.00