

Instructions
for
EDSYN^{INC}®
FXF12
FUMINATOR™
Fume Extractor Fan



Power Supply

Standard (U.S.A.)

-1 (No Transformer)

-100 (Japan)

-230 (Europe)

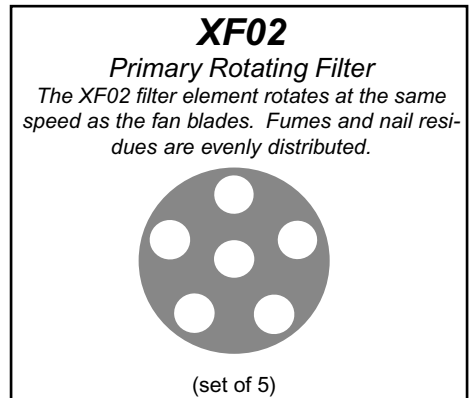
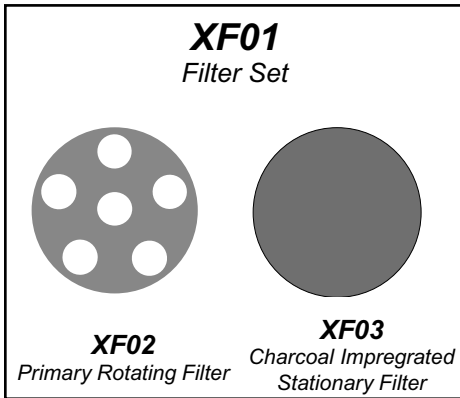
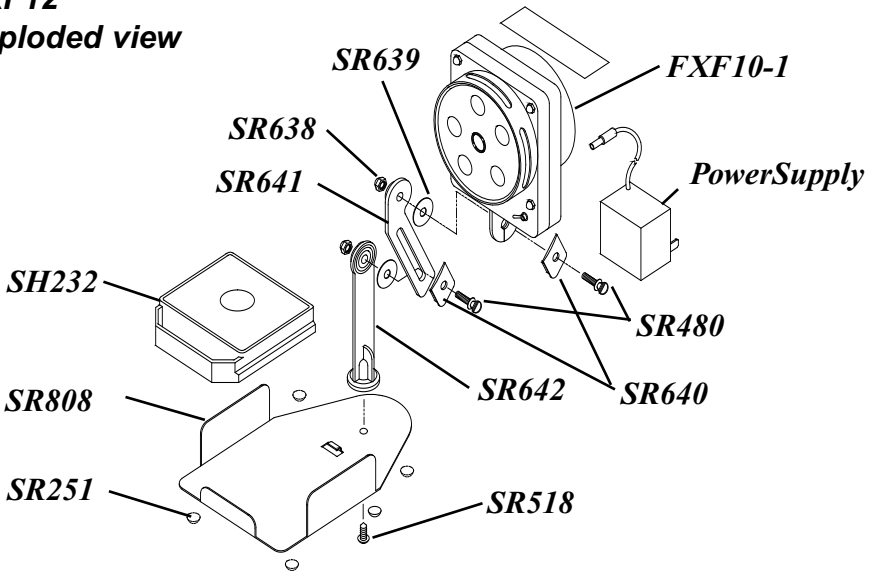
-230B (U.K.)

Solder not included

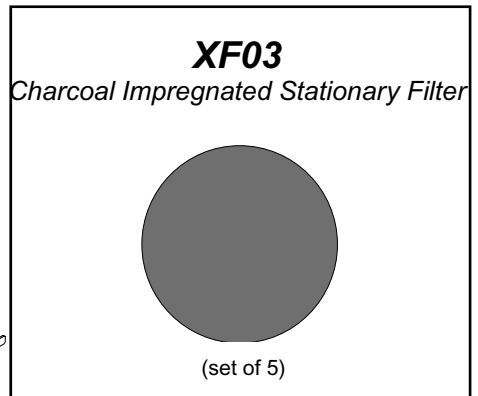
(Design, colors and materials subject to change without notice)

Form.1044
Rev C

FXF12
exploded view

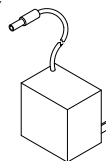


- XF01** Filter Set with 1 - XF02 and 1 - XF03
- XF02** Primary Rotating Filter (set of 5)
- XF03** Charcoal Impregnated Stationary Filter (set of 5)

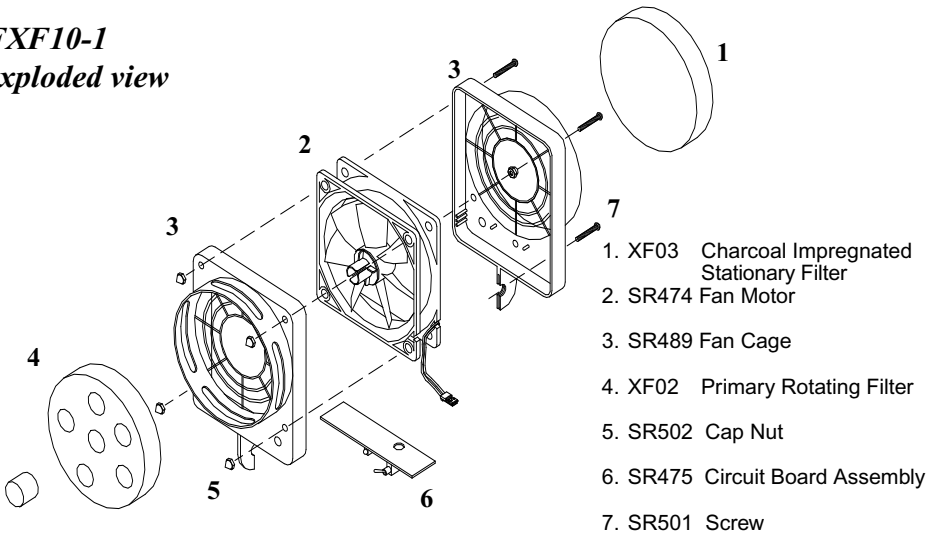


power supply

- SR571** for 100V (Japan)
- SR538** for 115V (U.S.A.)
- SR572** for 230V (Europe)
- SR821** for 230B (U.K.)



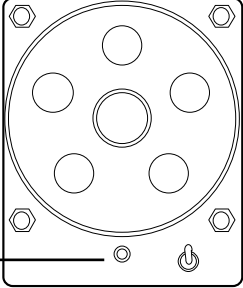
FXF10-1
exploded view



1. XF03 Charcoal Impregnated Stationary Filter
2. SR474 Fan Motor
3. SR489 Fan Cage
4. XF02 Primary Rotating Filter
5. SR502 Cap Nut
6. SR475 Circuit Board Assembly
7. SR501 Screw

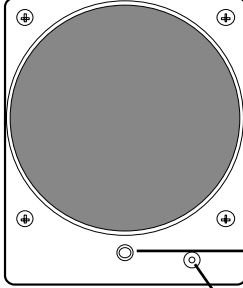
Filter Replacement

1. Pull out dirty filter from hub when fan is off.
2. Replace with new XF02 Primary Rotating Filter



Green LED
(indicates air flow towards fan)

Front View
(air input)

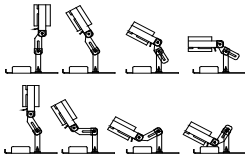


Yellow LED
(indicates air flow away from fan)

Rear View
(air output)

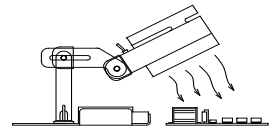
Universal 12VDC Input
Jack Type: J4 Female 2.1 mm x 5.5 mm. Recommended 12VDC, 500mA Power Supply

Variable Positioning



when extracting residue from the air.

For Removing Fumes



Position the FXF12 close to the working area to extract residue from the air.

The XF02 and XF03 filter elements can be used separately. For maximum filtration, install both filters.

features

- Powerful 12V fan motor removes unwanted fumes, powder residues and odors from the air
- Can be used to either filter or blow dry clients nails
- Ultra-quiet operation
- Rotating front filter provides filtration eight times better than a stationary filter
- Bright front (green) and rear (yellow) LED's to indicate power and air flow direction
- Adjustable to almost any working angle
- Quick filter replacement
- Internal safety grills

specifications

Power
Requirements 12VDC

Overall
Dimension 5.5"W x 12"H x 5.5"D
140 mm x 305 mm x 140 mm

Weight 1.09 lbs (.49 kg)

Design, color and material subject to change
without notice



Phone (sales): 818.989.2324 • FAX: 818.997.0895
Email: info@edsyn.com • Internet: www.edsyn.com

©Copyright 2002 by EDSYN®, Inc.

patented

made in U.S.A.