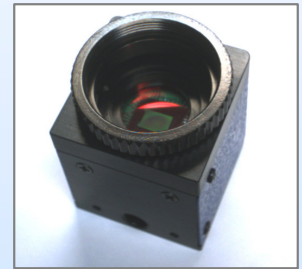




uPiX UC-Series

USB2.0 CMOS Camera



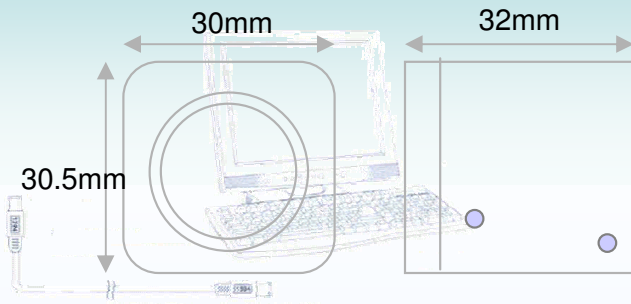
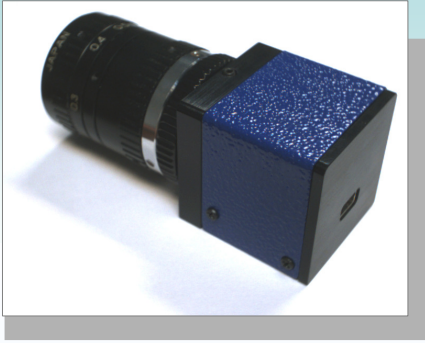
Ultra compact size

Features:

- USB2.0 easy connection- No external power required
- Excellence color reproduction
- Excellence image quality
- Optimized for High Frame Rate
- Supports ROI Mode
- Optimized software driver for faster video display
- Directshow driver, ActiveX Control, SDK & Labview
- And many other features

Applications:

- Microscopy
- Machine Vision
- Medical Imaging
- Visual Inspection
- Security
- Astronomy
- 2D Barcode & OCR Reading
- Other digital imaging applications



(* Lens not Included)

UC-Series consists of high-performance low cost digital cameras with unique combinations of speed, resolution and sensitivity to satisfy the demands of today's imaging applications. We also offer custom design services to Original Equipment Manufacturer (OEM) partners requiring specialized hardware and software features. Our camera product line provides

- Wide range of high-performance & low cost camera solution for your application
- Time-to-market with easy of integration
- Simple & Easy one USB2.0 cable provides power, video and camera controls
- Unique optimized driver & software for real time video display (for certain models)
- High sensitivity are achieved through the adoption of Micron DigitalClarity® sensors.

Technical Data

CMOS Sensor	UC360	UC361	UC1320	UC1311	UC2010	UC3010	UC5010
Image Sensor	Micron WVGA	Micron WVGA (B/W)	Micron SXGA	Micron SXGA (B/W)	Micron UXGA	Micron QXGA	Micron QSXGA
Sensor Size	1/3"	1/3"	1/3"	1/2"	1/3"	1/2"	1/2.5"
Effective pixel (Megapixels)	0.36	0.36	1.3	1.3	2.0	3.2	5.0
Resolution	752x480	752x480	1280x1024	1280x1024	1600x1200	2048x1536	2592x1944
FPS at Full Resolution	75	75	25	26	10	11	6
Scan Mode	Progressive	Progressive	Progressive	Progressive	Progressive	Progressive	Progressive
Shutter	Global	Global	Rolling	Rolling	Rolling with Global Reset	Rolling	Rolling with Global Reset
Dynamic Range	100dB	100dB	61dB	68.2dB	61dB	61dB	60dB
Pixel Size (µm)	6x6	6x6	5.2x5.2	5.2x5.2	2.8x2.8	3.2x3.2	2.2x2.2
Imaging Area (mm)	4.51x2.88	4.51x2.88	6.66x5.32	6.66x5.32	4.73x3.52	6.55x4.92	5.70x4.28
ROI / Binning	ROI & Binning Mode				Binning	ROI & Binning Mode	
Transfer Rate	480 Mbits/sec						
Dimension	30 x 30.5 x 32 mm						
USB Version	USB2.0						
Lens Mount	C / CS Mount						
I/O s	Please refer to UC-xxxxEC Series with External Trigger, Flash out and GPIO						
Operating Temperature	0 °C to 45 °C						
Operating Humidity	80 % non-condensing						

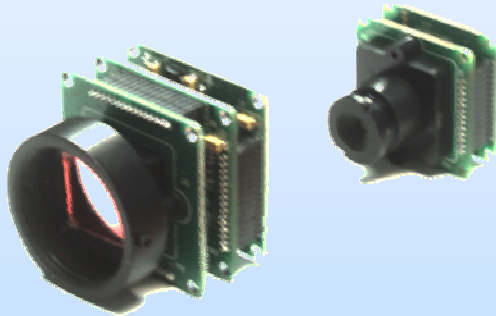
* Please contact us if you are looking for other CMOS sensor (higher resolution, speed etc.) as we can help to design and produce the camera within a month or two based on 100pcs or more quantity order. Sample will be provided to confirm requirements are met or not before hand.

Ultra Compact Size Design With Mini USB (30 x 30.5 x 32mm)

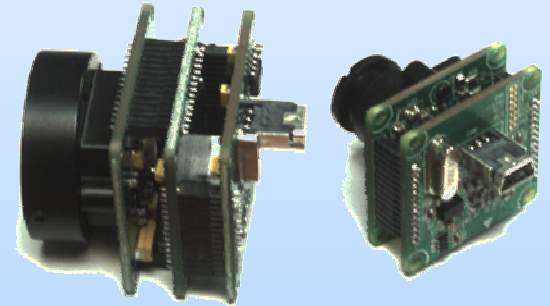
Super Light Weight : ~50g



Board Level & Custom Cameras Available



Custom digital camera design based on CCD sensors from Sony or Sharp, CMOS sensors from Micron or Omnivision. Please call.



Camera Features

- High-speed USB 2.0 (480 Mbits/sec)
- GPI/Os—control of peripherals
- Strobe Output for synchronization of lighting
- Simplified cabling – video/full camera control over a single USB cable
- DirectShow/DirectX compatible
- Software compatible with Windows ME, Windows 2000, Windows XP and Windows Vista
- Complete SDK available (VC++, C#, VB.NET, Delphi & VB) & Labview VI
- ActiveX Control available soon

Accessories

- Image/Video Viewer and Capture Application Software for Windows
- USB Cable (Mini USB 2.0 Type): 2.0 Or 3.0 Meter
- IR-Cut Filter Attached (Color Model Only) : 0.5mm Thickness
- Lens: (optional Hi-Res. C-Mount 8mm, 25mm and 50mm)
- Lighting : (optional LED ring light and USB Lighting Controller)

Camera dimension With I/O connector

